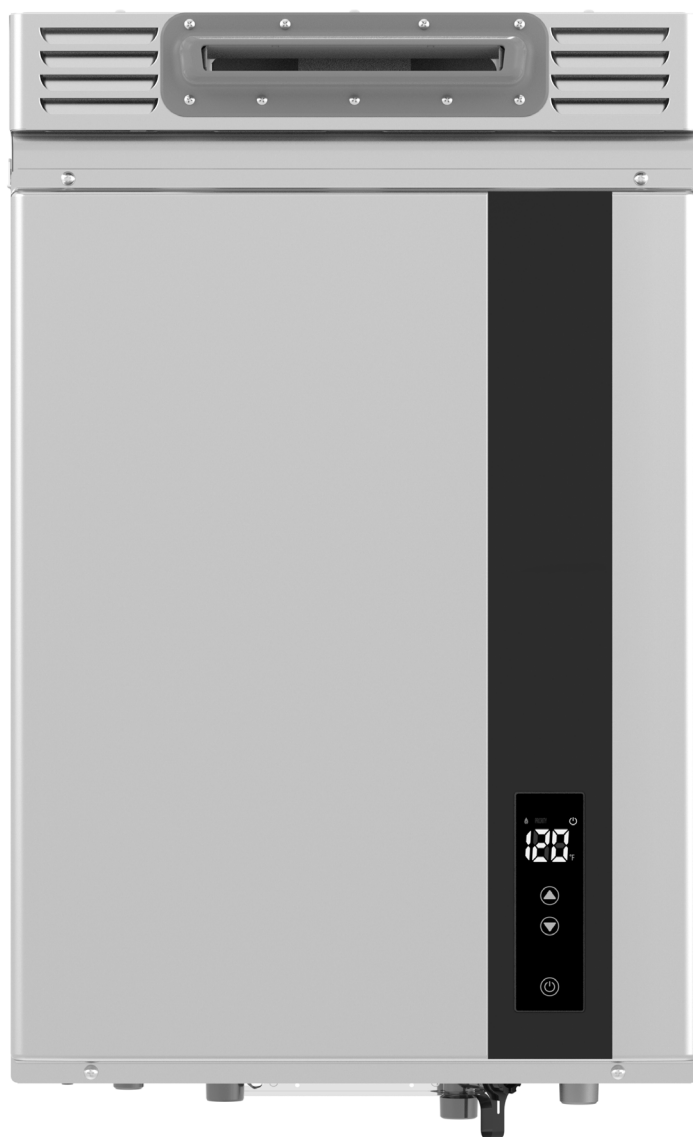
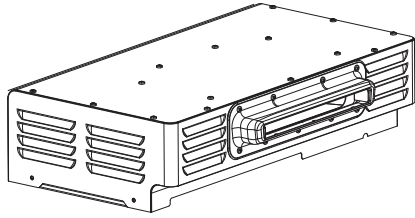


# Super High Efficiency Condensing Tankless Water Heater Outdoor Kit Installation Instructions



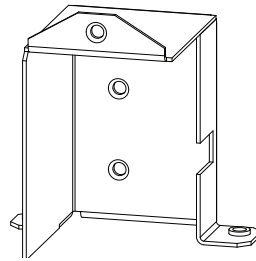
# CONVERSION KIT CONTAINS THE FOLLOWING PARTS:



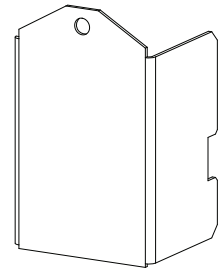
**Outdoor Box**



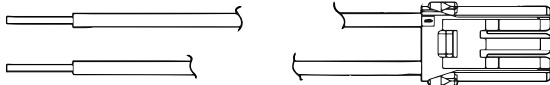
**Installation Instructions**



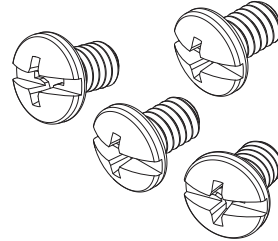
**Junction Box Back Panel**



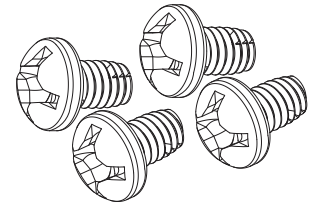
**Junction Box Front Panel**



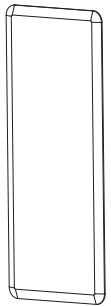
**Junction Box Wire Harness**



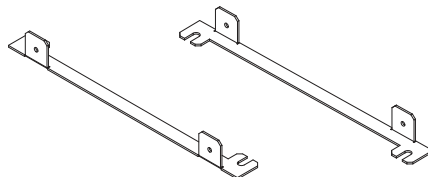
**Screws (4) for Slide Mounting Bracket**



**Screws (3) for Junction Box**

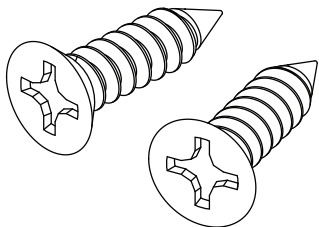


**Display Cover**

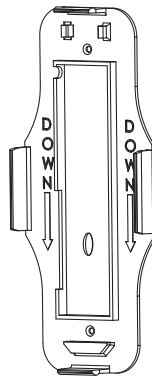


**Outdoor Kit Mounting Bracket**

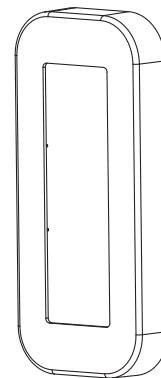
## FOR WIFI MODELS ONLY:



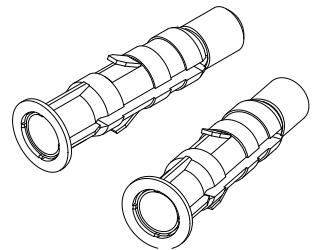
**Wood Screws (2) for Display Mount**



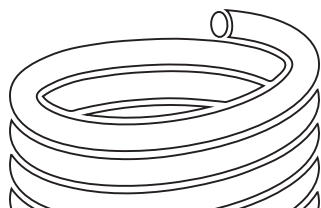
**Display Mounting Back**



**Display Mounting Front**



**Anchors (2)**



**10 ft. Cable**

## ▲WARNING:

If the information in these instructions is not followed exactly, a fire or explosion may result, causing death, personal injury, or property damage.

## SAFETY PRECAUTIONS

- Read these instructions and the water heater instruction manual before installing this outdoor conversion kit.
- Use this outdoor conversion kit for only the intended purpose as described in these instructions.
- Be sure to install your water heater properly in accordance with local codes and the installation instructions provided.
- **DO NOT** attempt to repair or replace any other parts not provided in this outdoor conversion kit.
- All servicing should be referred to a qualified technician.

The outdoor conversion instructions are only for tankless water heaters with model numbers beginning with:

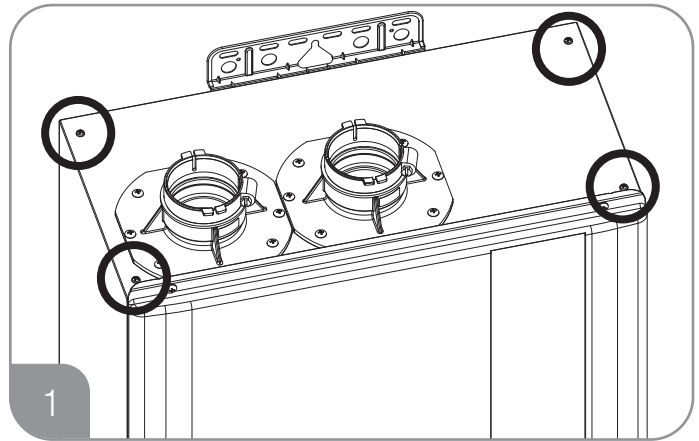
ECOH160DVELN-3	RTGH-90DVLN-3
ECOH160DVLP-3	RTGH-90DVLP-3
ECOH180DVELN-3	RTGH-95DVELN-3
ECOH180DVLP-3	RTGH-95DVLP-3
ECOH200DVELN-3	RTGH-95DVLN-3
ECOH200DVLP-3	RTGH-95DVLP-3
RMTGH84DVELN-3	RUTGH-68DVLN-3
RMTGH84DVLP-3	RUTGH-68DVLP-3
RMTGH90DVELN-3	RUTGH-84DVLN-3
RMTGH90DVLP-3	RUTGH-84DVLP-3
RMTGH95DVELN-3	RUTGH-90DVLN-3
RMTGH95DVLP-3	RUTGH-90DVLP-3
RTGH-68DVLN-3	RUTGH-95DVELN-3
RTGH-68DVLP-3	RUTGH-95DVLP-3
RTGH-84DVLN-3	RUTGH-95DVLN-3
RTGH-84DVLP-3	RUTGH-95DVLP-3

The installation of this Outdoor Conversion Kit requires that the installer have the following tools:

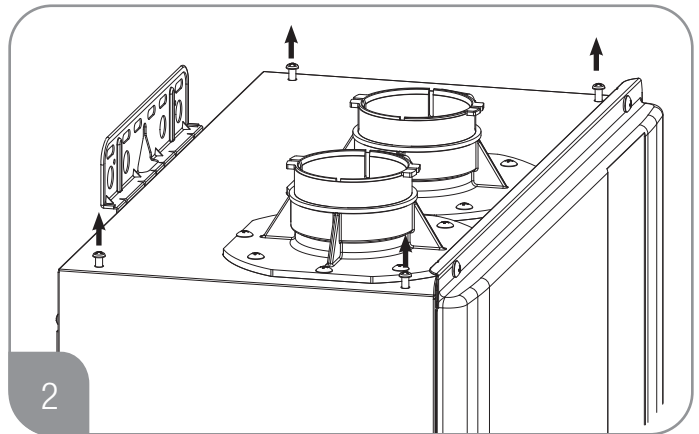
1. Phillips head screw driver
2. Wire nuts (2)
3. Power cord for hard-wiring

▲CAUTION: Front opening and their surrounding area can be hot while the water heater is operating. DO NOT touch these area. DO NOT block these opening.

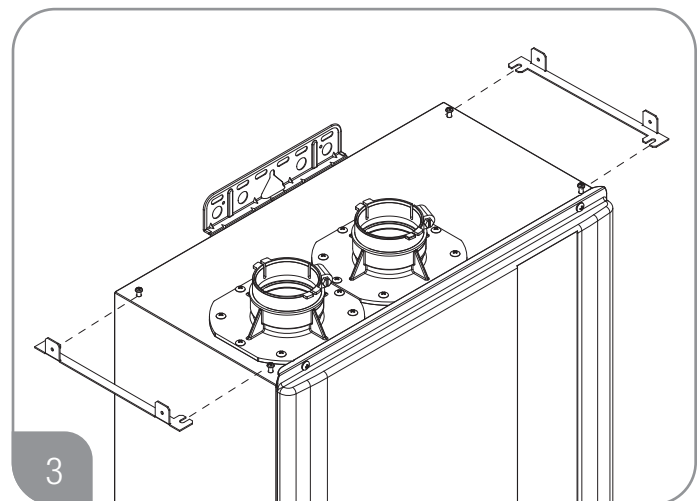
## EXHAUST HOOD INSTALL



Locate 4 screws on top of the unit that will be used to mount the exhaust hood.

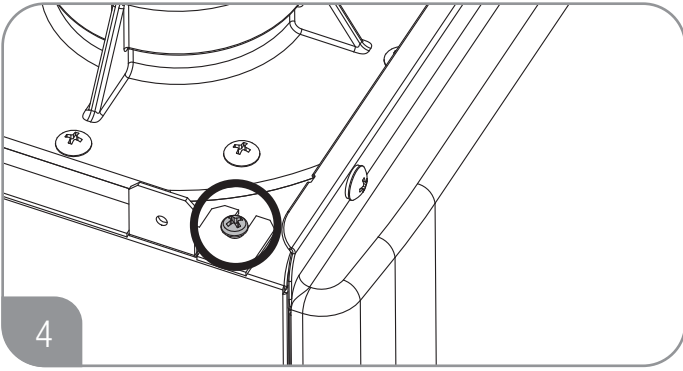


Loosen the four screws to prepare for the mounting brackets. (5 or 6 turns).

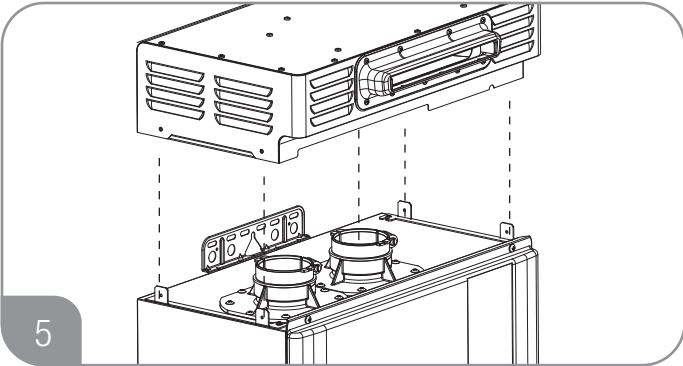


Slide mounting bracket onto screws. Before tightening, ensure bracket is inserted along guides fully.

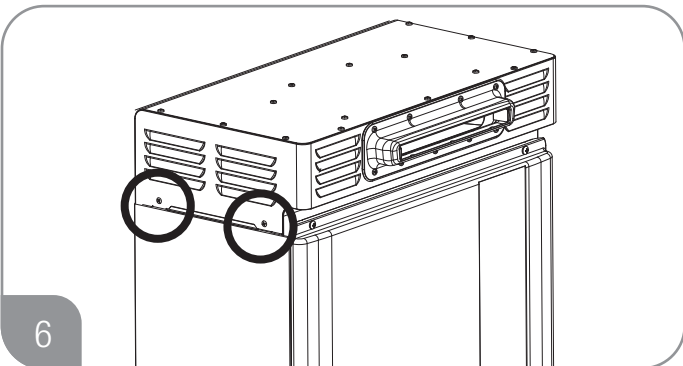
## DISPLAY INSTALLATION OPTIONS



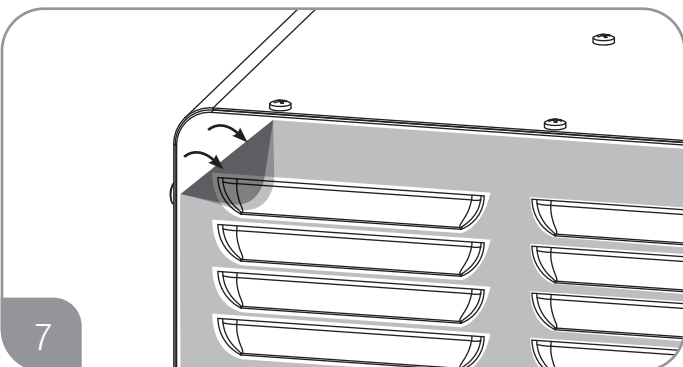
4  
Tighten screws to secure the brackets to the unit.



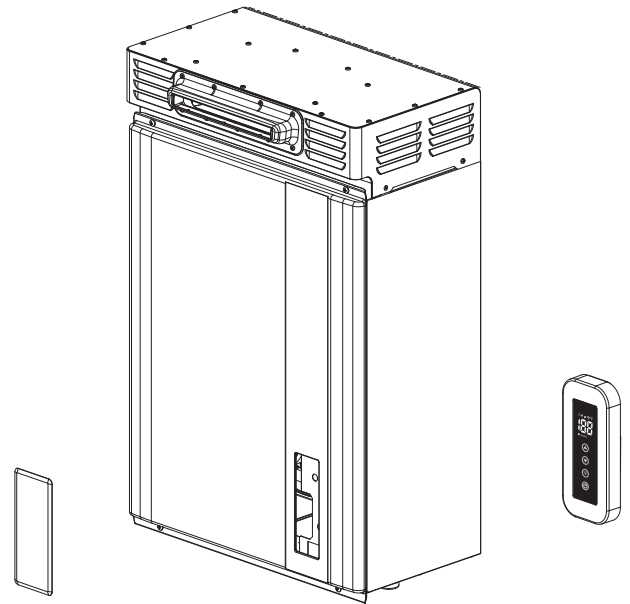
5  
Place the exhaust hood on the top of the unit by aligning the exhaust pipe to the outlet flue connection of the unit.



6  
Secure the exhaust hood to the mounting brackets with 4 screws.

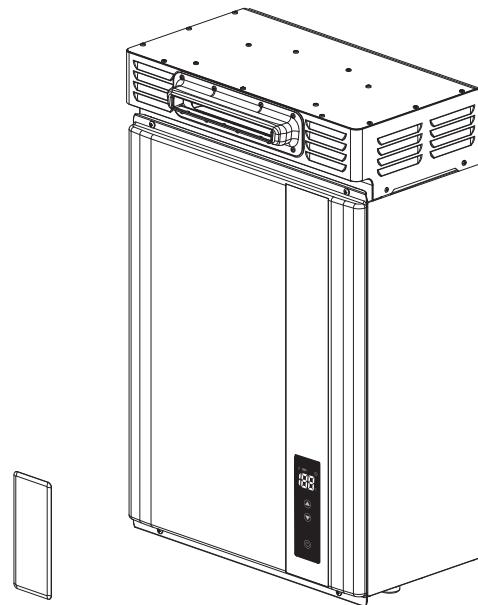


7  
After completion of all installation steps, peel off protective film from all external surfaces.



### WiFi Models

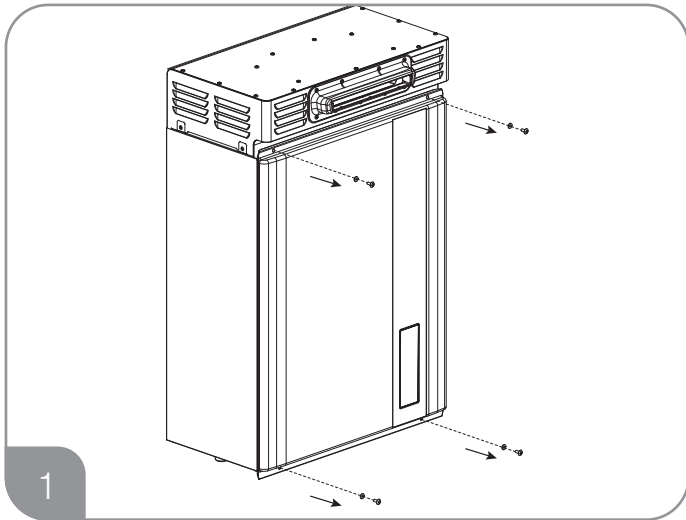
- Option 1: Install Display Cover Over Display Inside of Unit (See: DISPLAY COVER INSTALL).
- Option 2: For a better WiFi connection, display can be installed inside the home. See WALL MOUNTED DISPLAY INSTALL.



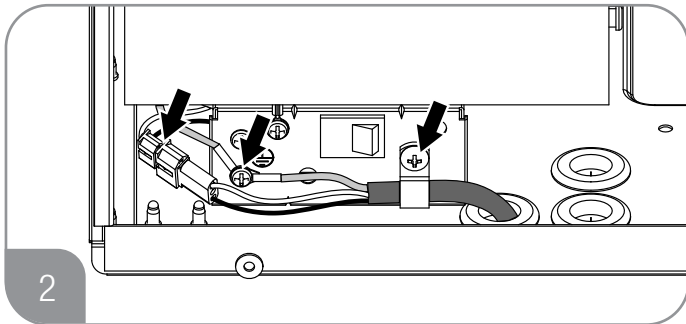
### Non-WiFi Models

- Display cover installed to protect display.

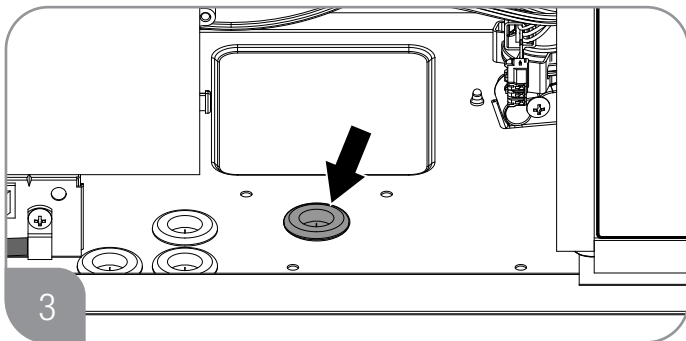
# JUNCTION BOX INSTALL



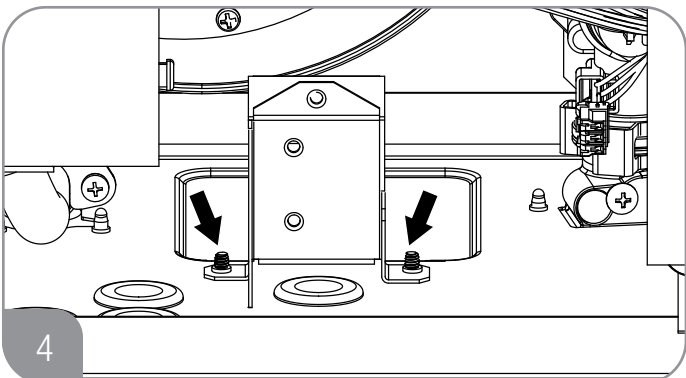
Remove 4 screws of Front Cover to access into unit.



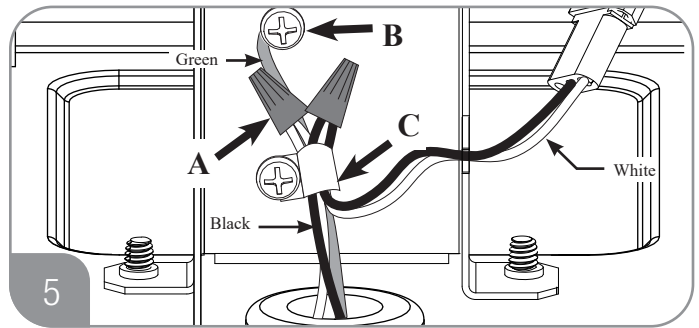
Remove power cable by disconnecting Molex connector, ground screw and strain relief.



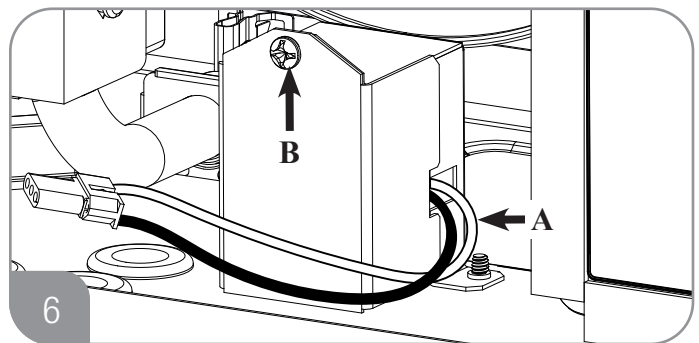
Locate junction box mounting location and power cord grommet.



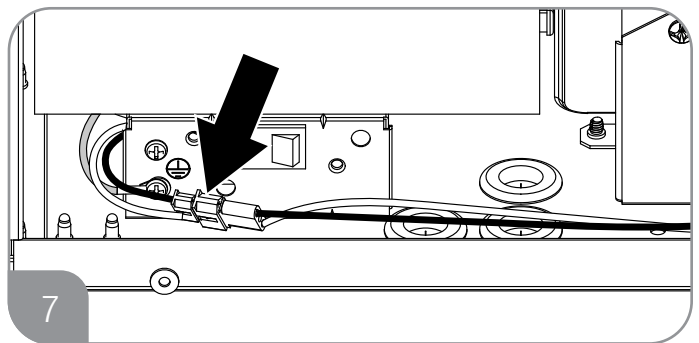
Mount Back of junction box with two screws provided.



A) Connect the wire harness to the power supply via wire nuts.  
B) Connect the ground wire to the back of junction box via the ground screw.  
C) Install strain relief into the junction box.



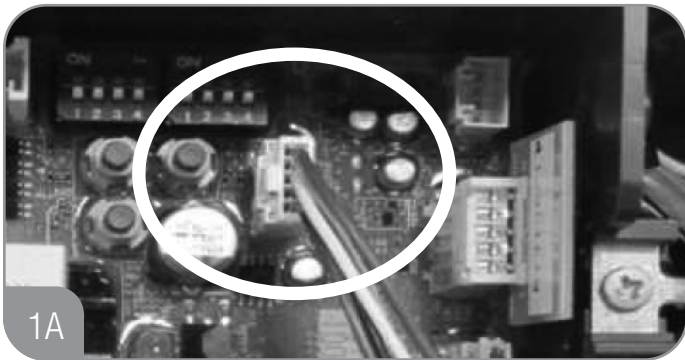
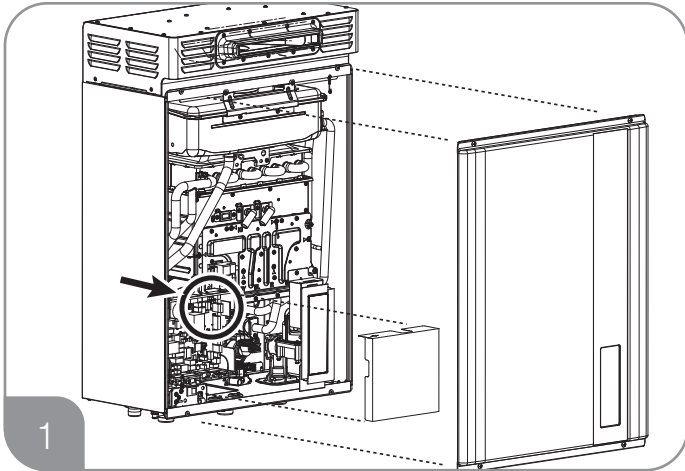
A) Run the wire harness through the cut out.  
B) Add the front cover of the junction box with one screw.



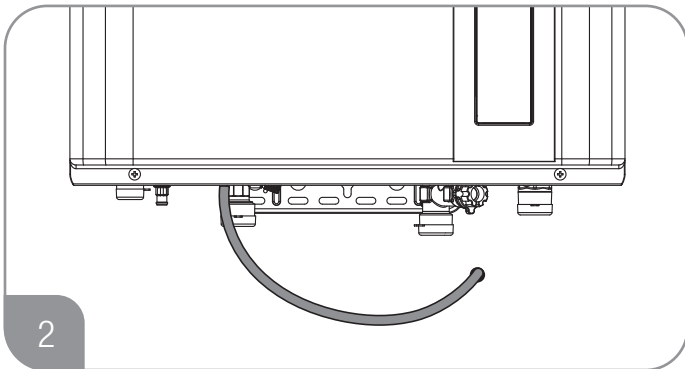
Reconnect the Molex connector of the wire harness to the unit.

# WIFI MODELS ONLY

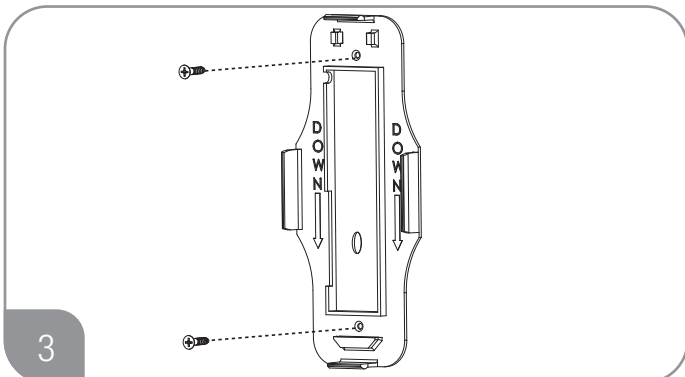
## WALL MOUNTED DISPLAY INSTALL



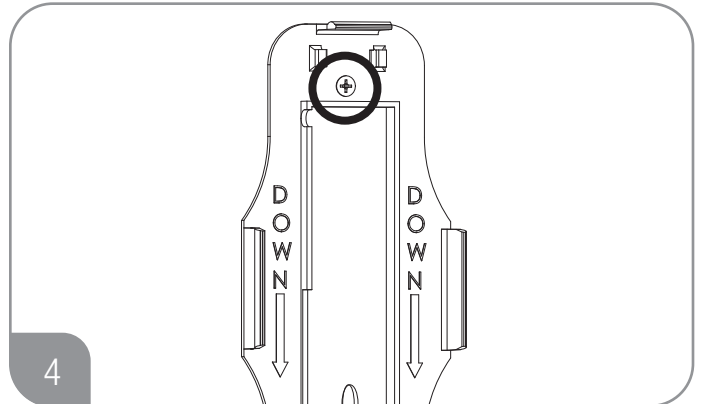
Replace display cable with 10ft cable.



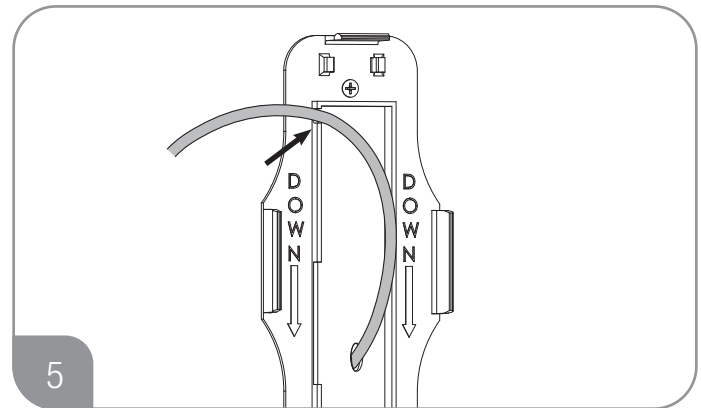
Run cable through wall to display location.



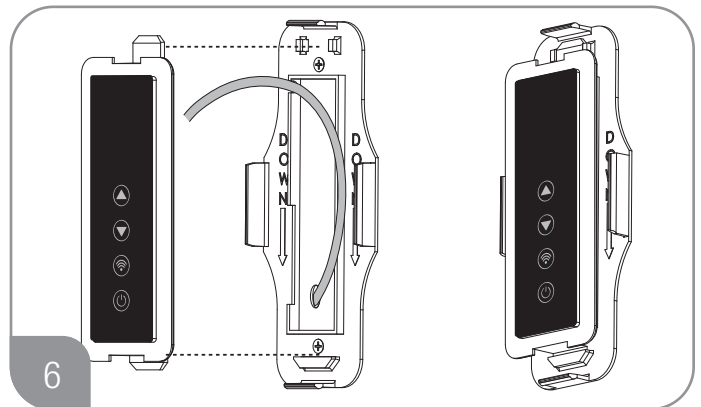
Use two screws to mount back of wall mount to wall/  
desired location.



Ensure screw is flush to mount and does not protrude, as  
it will interfere with the display.



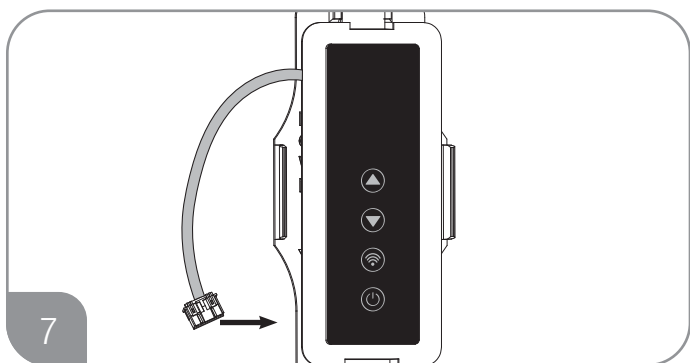
Pull wire through designated route at the top left of the  
mount.



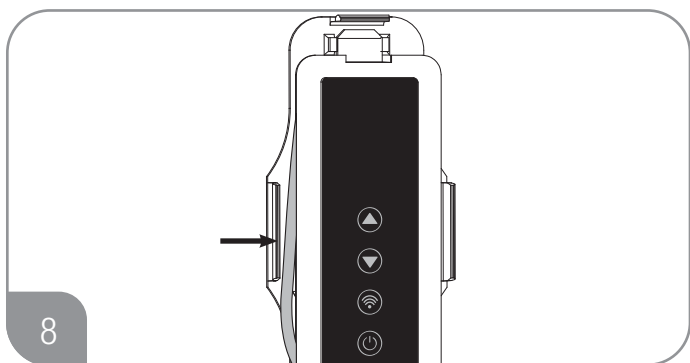
Rest display in “cup” at the bottom of mount and push  
into retention clips at the top.

## NON-WIFI AND WIFI (OPTIONAL) DISPLAY COVER INSTALL

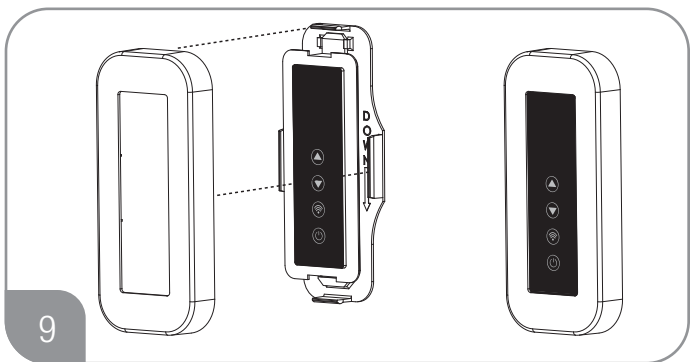
**NOTE:** For best connectivity on WiFi models, follow instructions for Wall Mount of the display.



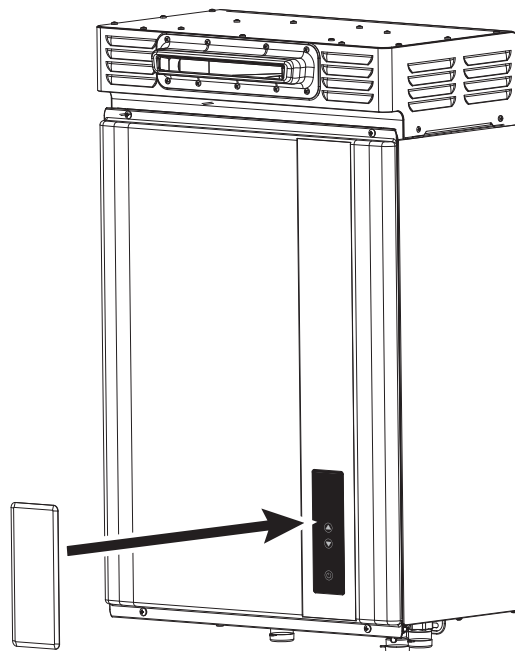
7  
Have enough slack in wire to plug into the bottom of the display.



8  
Ensure wire is tucked inside of the retention clip.



9  
Front cover snaps onto the back of wall mount kit.



- Peel release paper to expose adhesive.
- Place display cover over display.
- Press firmly around entire cover border to ensure water tight seal.

### **⚠ CAUTION:**

**DO NOT** remove the display cover once placed. It will compromise the water tight seal. Remove 4 screws and the front cover to operate the display.

### **⚠ WARNING:**

**Outdoor installation of the water heater requires a junction box and hard-wire (permanent) power supply per National code, state code or local code. Without an appropriate junction box or hard-wiring (permanent) power supply, electric shock or short circuit can cause death, personal injury or property damage.**

## 1 YEAR LIMITED WARRANTY

**1 Year Limited Warranty** – This part will be replaced at no cost (upon receipt of the defective part and proof of purchase) if it becomes defective during normal use within one year from date of purchase. This Limited Warranty does not cover labor or any other related expenses.